

# PYRAMID-36

## 36" Pyramid Shaped Wall-Mount Range Hood



### Available Finishes/Colors

**PYRAMID-36**  
Stainless-Steel

### KEY FEATURES

#### Decorative Wall-Mount Range Hood

Pyramid shaped wall mount Range Hood in stainless steel is efficient, powerful with stylish design and built-to-last quality that would make it a great accessory to any home or kitchen improvement.

#### 3-Speed

The three-speed settings let you adjust the fan for the best smoke and odor control.

#### 500 CFM Motor

It offers great airflow and ventilation with minimal sound levels.

#### LED Lighting

Enjoy powerful illumination of the cooking surface with 2 long lasting and bright LED lights, which also don't create additional heat and are energy efficient.

#### Electronic Push Button Control

Conveniently located on the front of the unit is simple and easy to use.

#### Stainless-Steel Baffle Filters

Heavy-duty and highly efficient at capturing grease and also washable for easy cleaning.



Three Fan  
Speeds



Push  
Buttons



LED  
Lighting

### GENERAL PROPERTIES

Decorative pyramid wall-mount range hood

Stainless steel

High suction power - low noise

### FEATURES

LED lighting

3-Speed adjustment

Electronic back-lit push buttons

Quiet (8 sones/58 dB) 500 CFM motor

2 x dishwasher safe perforated filters

6" Duct Size

### TECHNICAL DETAILS

#### Product Dimensions (W/H/D)

35<sup>7/16"</sup> / 23<sup>5/8"</sup> - 46<sup>7/16"</sup> / 18<sup>15/16"</sup>

900mm / 600mm-1180mm / 481mm

### ELECTRICAL REQUIREMENTS

115V / 60Hz

**Rated Input Power:** 97W

**Lighting Power:** 1 x 2W

**Motor Power:** 95W

**Outlet Diameter:** 150mm

\*Supplied with a Canadian cord and plug.

### ACCESSORIES

CF-B : Charcoal Filters

BF-A1 : Baffle Filters

EFP-P&C : 9' ceiling - 2 pieces high ceiling extension flue

## Installation Details

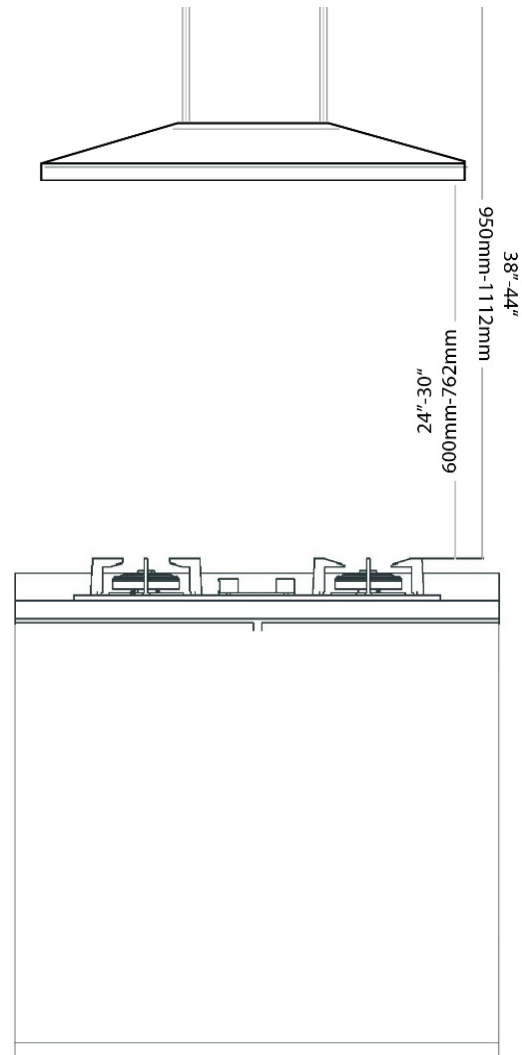
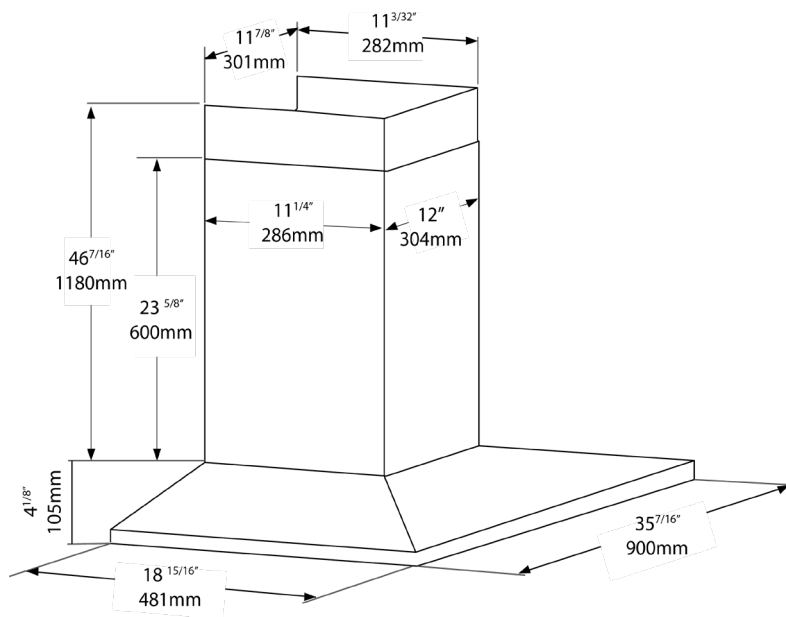
### PRODUCT DIMENSIONS (INCH/MM)

**Width:** 35<sup>7</sup>/<sub>16</sub>" / **Height:** 23<sup>5</sup>/<sub>8</sub>" - 46<sup>7</sup>/<sub>16</sub>" / **Depth:** 18<sup>15</sup>/<sub>16</sub>"

**Width:** 900mm / **Height:** 600mm-1,180mm / **Depth:** 481mm

### INSTALLATION

- The range hood should be mounted at a distance of 24" (600mm) from an electric or induction cooktop and 30" (762mm) above the gas cooktop for safety and optimum performance.
- If the instructions for installing the gas cooktop specify a greater distance, this has to be taken into account.
- The exhaust air must not be discharged into a flue used for exhausting fumes from other appliances burning gas or other fuels.





#### WARRANTY INFORMATION

Porter & Charles Appliances are designed and manufactured to the highest standards. Each appliance is covered by a comprehensive 2-year parts and labour warranty. Refer to product warranty policy for complete terms and conditions.

#### FOR PARTS & SERVICE

Euro-Parts & Service  
39822 Belgrave Road, Belgrave, ON. N0G 1E0 1 866 722 2262  
[www.euro-parts.ca](http://www.euro-parts.ca) • [parts@euro-parts.ca](mailto:parts@euro-parts.ca) • [service@euro-parts.ca](mailto:service@euro-parts.ca)

Porter & Charles appliances are imported and distributed in North America by Euro-Line Appliances Inc. For more information, please visit one of our showrooms or [www.ela.ca](http://www.ela.ca) / [www.elawest.ca](http://www.elawest.ca)

#### **EURO-LINE APPLIANCES INC.**

871 Cranberry Court, Oakville, ON  
L6L 6J7 Canada  
905.829.3980  
1-800.421.6332  
[info@ela.ca](mailto:info@ela.ca)

#### **EURO-LINE APPLIANCES INC.**

101-1014 Homer Street, Vancouver, BC  
V6B 2W9, Canada  
604.235.3980  
1-855.ELA.WEST (352.9378)  
[info@elawest.ca](mailto:info@elawest.ca)