

PYRAMID-30

30" Pyramid Shaped Wall-Mount Range Hood



Available Finishes/Colors

PYRAMID-30
Stainless-Steel

KEY FEATURES

Decorative Wall-Mount Range Hood

Pyramid shaped wall mount Range Hood in stainless steel is efficient, powerful with stylish design and built-to-last quality that would make it a great accessory to any home or kitchen improvement.

3-Speed

The three-speed settings let you adjust the fan for the best smoke and odor control.

500 CFM Motor

It offers great airflow and ventilation with minimal sound levels.

LED Lighting

Enjoy powerful illumination of the cooking surface with 2 long lasting and bright LED lights, which also don't create additional heat and are energy efficient.

Electronic Push Button Control

Conveniently located on the front of the unit is simple and easy to use.

Stainless-Steel Baffle Filters

Heavy-duty and highly efficient at capturing grease and also washable for easy cleaning.



Three Fan
Speeds



Push
Buttons



LED
Lighting

GENERAL PROPERTIES

Decorative pyramid wall-mount range hood

Stainless steel

High suction power - low noise

FEATURES

LED lighting

3-Speed adjustment

Electronic back-lit push buttons

Quiet (8 sones/58 dB) 500 CFM motor

2 x dishwasher safe perforated filters

6" Duct Size

TECHNICAL DETAILS

Product Dimensions (W/H/D)

30" / 23^{5/8}" - 46^{7/16}" / 18^{15/16}"

762mm / 600mm-1180mm / 481mm

ELECTRICAL REQUIREMENTS

115V / 60Hz

Rated Input Power: 97W

Lighting Power: 1 x 2W

Motor Power: 95W

Outlet Diameter: 150mm

*Supplied with a Canadian cord and plug.

ACCESSORIES

CF-B : Charcoal Filters

BF-A1 : Baffle Filters

EFP-P&C : 9' ceiling - 2 pieces high ceiling extension flue

Installation Details

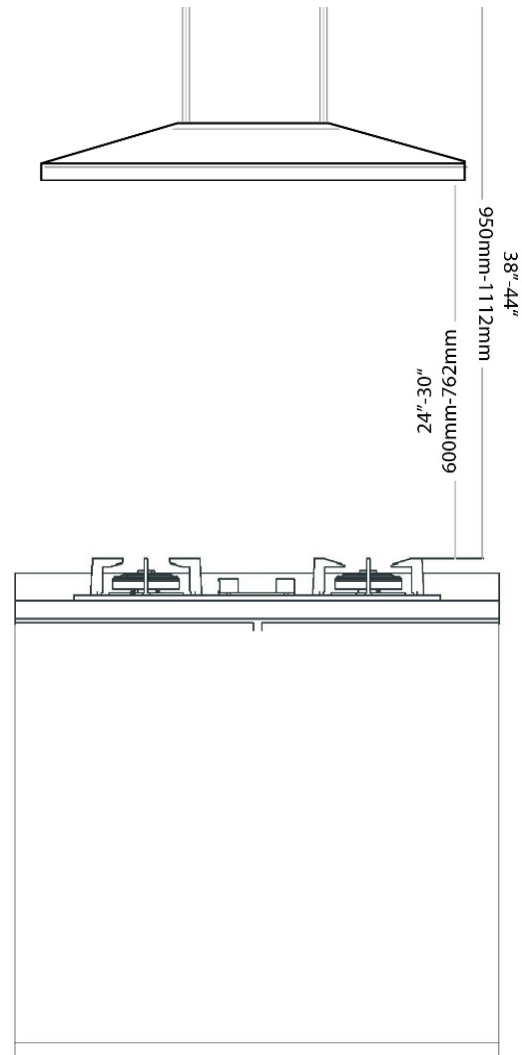
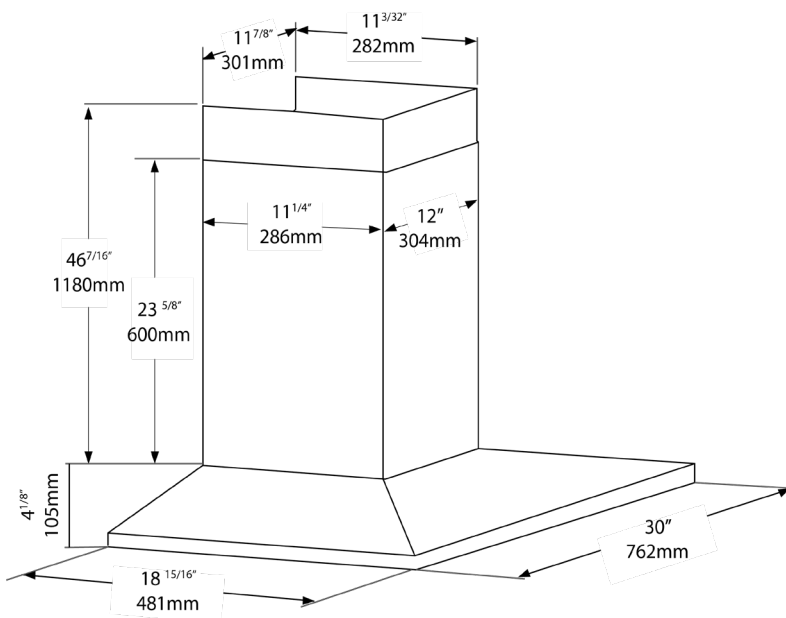
PRODUCT DIMENSIONS (INCH/MM)

Width: 30" / **Height:** 23^{5/8"} - 46^{7/16"} / **Depth:** 18^{15/16"}

Width: 762mm / **Height:** 600mm-1,180mm / **Depth:** 481mm

INSTALLATION

- The range hood should be mounted at a distance of 24" (600mm) from an electric or induction cooktop and 30" (762mm) above the gas cooktop for safety and optimum performance.
- If the instructions for installing the gas cooktop specify a greater distance, this has to be taken into account.
- The exhaust air must not be discharged into a flue used for exhausting fumes from other appliances burning gas or other fuels.





WARRANTY INFORMATION

Porter & Charles Appliances are designed and manufactured to the highest standards. Each appliance is covered by a comprehensive 2-year parts and labour warranty. Refer to product warranty policy for complete terms and conditions.

FOR PARTS & SERVICE

Euro-Parts & Service
39822 Belgrave Road, Belgrave, ON. N0G 1E0 1 866 722 2262
www.euro-parts.ca • parts@euro-parts.ca • service@euro-parts.ca

Porter & Charles appliances are imported and distributed in North America by Euro-Line Appliances Inc. For more information, please visit one of our showrooms or www.ela.ca / www.elawest.ca

EURO-LINE APPLIANCES INC.

871 Cranberry Court, Oakville, ON
L6L 6J7 Canada
905.829.3980
1-800.421.6332
info@ela.ca

EURO-LINE APPLIANCES INC.

101-1014 Homer Street, Vancouver, BC
V6B 2W9, Canada
604.235.3980
1-855.ELA.WEST (352.9378)
info@elawest.ca