

PYRAMID-30

30" Pyramid Wall-Mount Range Hood



Three Fan
Speeds



Push
Buttons



LED
Lighting

GENERAL PROPERTIES

Decorative pyramid wall-mount range hood
High suction power - low noise
Stainless steel

FEATURES

3-Speed adjustment
Electronic micro switch with square push buttons
Strip LED lighting
1 x motor + two piece fan
Quiet (8 sones/58 dB) 500 CFM motor
6" Duct Size

TECHNICAL DETAILS

Product dimensions in inch (W/H/D)

30" / 23^{5/8}" - 46^{7/16}" / 18^{15/16}"

762mm / 600mm-1,180mm / 481mm

Electrical Requirements

110-120V, 60Hz

*Supplied with a Canadian cord and plug.

Rated Input Power: 97W

Lighting Power: 1 x 2W

Motor Power: 95W

Outlet Diameter: 150mm

Accessories

CF-B : Charcoal Filters

BF-A1 : Baffle Filters

EFP-P&C : 9' ceiling - 2 pieces high ceiling extension flue

Features & Benefits

Stainless Steel

Quality material with an elegant look in brushed stainless steel.

Electronic Back Lit Push Buttons

Manages the fan speed and two LED light strips.

Brighten Your Cooktop

LED Lights illuminate the cooktop and are brighter and more energy-efficient.

Take Control Over Your Cooking Space

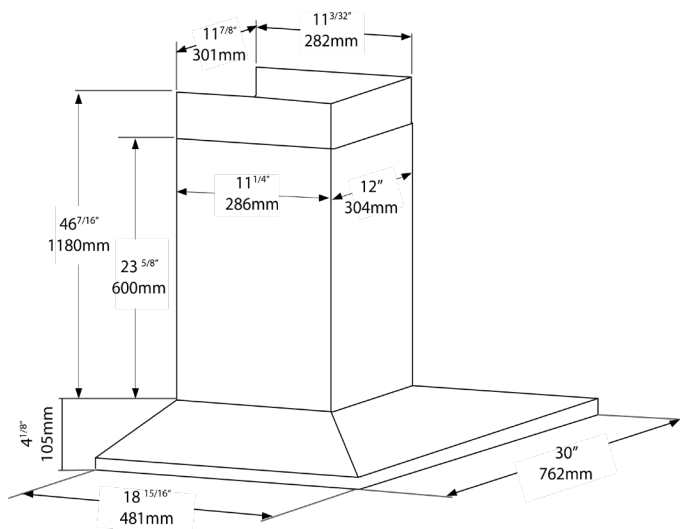
Three-speed fan effectively filters steam, grease, and odours from the air.

Installation Details

PRODUCT DIMENSIONS (INCH/MM)

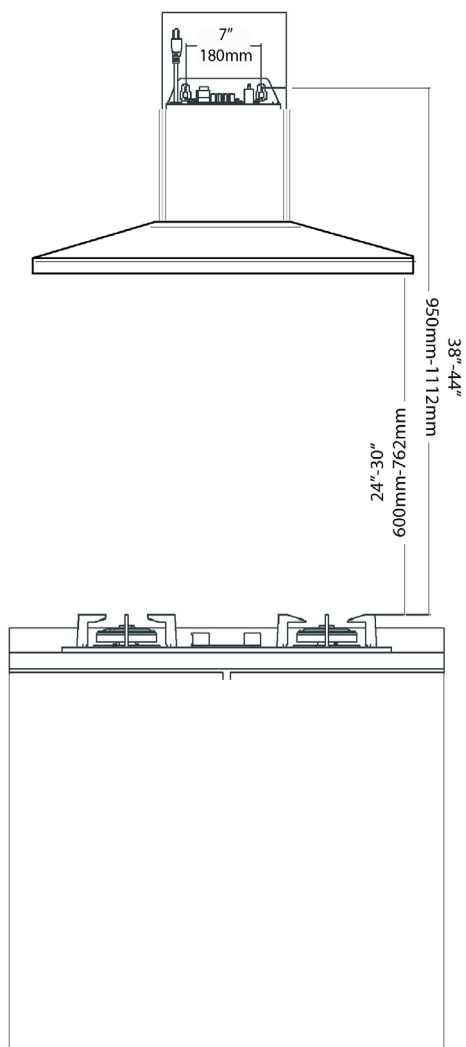
Width: 30" / **Height:** 23⁵/₈" - 46⁷/₁₆" / **Depth:** 18¹⁵/₁₆"

Width: 762mm / **Height:** 600mm-1,180mm / **Depth:** 481mm



Installation

- The range hood should be mounted at a distance of 24" (600mm) from an electric or induction cooktop and 30" (762mm) above the gas cooktop for safety and optimum performance.
- If the instructions for installing the gas cooktop specify a greater distance, this has to be taken into account.
- The exhaust air must not be discharged into a flue used for exhausting fumes from other appliances burning gas or other fuels.





WARRANTY INFORMATION

Porter & Charles Appliances are designed and manufactured to the highest standards. Each appliance is covered by a comprehensive 2-year parts and labour warranty. Refer to product warranty policy for complete terms and conditions.

FOR PARTS & SERVICE

Euro-Parts & Service
39822 Belgrave Road, Belgrave, ON. N0G 1E0 1 866 722 2262
www.euro-parts.ca • parts@euro-parts.ca • service@euro-parts.ca

Porter & Charles appliances are imported and distributed in North America by Euro-Line Appliances Inc. For more information, please visit one of our showrooms or www.ela.ca / www.elawest.ca

EURO-LINE APPLIANCES INC.

871 Cranberry Court, Oakville, ON
L6L 6J7 Canada
905.829.3980
1-800.421.6332
info@ela.ca

EURO-LINE APPLIANCES INC.

101-1014 Homer Street, Vancouver, BC
V6B 2W9, Canada
604.235.3980
1-855.ELA.WEST (352.9378)
infowest@ela.ca