

# INSERT-24

## 24" Built-In Insert Range Hood



### Available Finishes/Colors

#### INSERT-24

Stainless-Steel / Powder Coated Gray

### KEY FEATURES

#### Under Cabinet Range Hood

Low profile design offers a classic way to finish your kitchen.

#### 3-Speed

Provides great performance that allows you to adjust ventilation to meet your needs.

#### 300 CFM Motor

Remove smoke and odours with ease with a powerful.

#### LED Lighting

Enjoy powerful illumination of the cooking surface with 2 long lasting and bright LED lights, which also don't create additional heat and are energy efficient.

#### Electronic Push Buttons

Add a sophisticated look with the up-front, easy-to-use control buttons.

#### Dishwasher safe Honeycomb Filters

Make cleanup easy with dishwasher safe honeycomb grease filters that help keep the kitchen clean of unwanted grease and odours.



Three Fan Speeds



Electronic Push Buttons



LED Lighting

### GENERAL PROPERTIES

Under cabinet insert range hood

Stainless-steel/Powder coated gray

Ducted/Vented

### FEATURES

LED lighting

3 speed adjustment

Electronic push buttons

Quiet (7 sones/56dB) 300 CFM motor

1 x Dishwasher safe honey comb filter

6" Duct adaptor included

### TECHNICAL DETAILS

#### Product Dimensions (W/D)

23<sup>5/8"</sup> / 11<sup>7/16"</sup>

600mm / 290mm

#### Cut-Out Dimensions (W/D)

21<sup>3/4"</sup> / 10<sup>11/16"</sup>

552mm / 272mm

#### Weight

**Net Weight:** 6.8kg (14 lbs.)

**Gross Weight:** 8.8kg (19 lbs.)

### ELECTRICAL REQUIREMENTS

115 V / 60 Hz / 15 Amp

**Rated Input Power:** 97 Watts

**Rated Output Power:** 97 Watts

\*Supplied with a Canadian cord and plug.

### PRODUCT DIMENSIONS (INCH/MM)

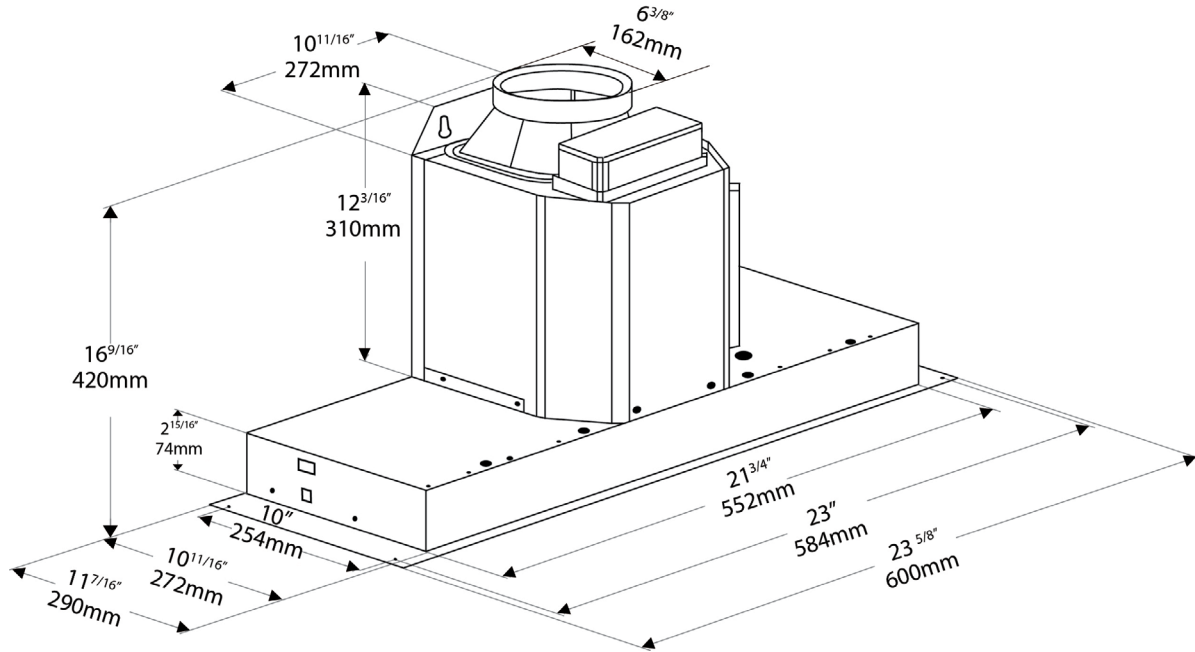
Width: 23<sup>5/8"</sup> / Depth: 11<sup>7/16"</sup>

Width: 600mm / Depth: 290mm

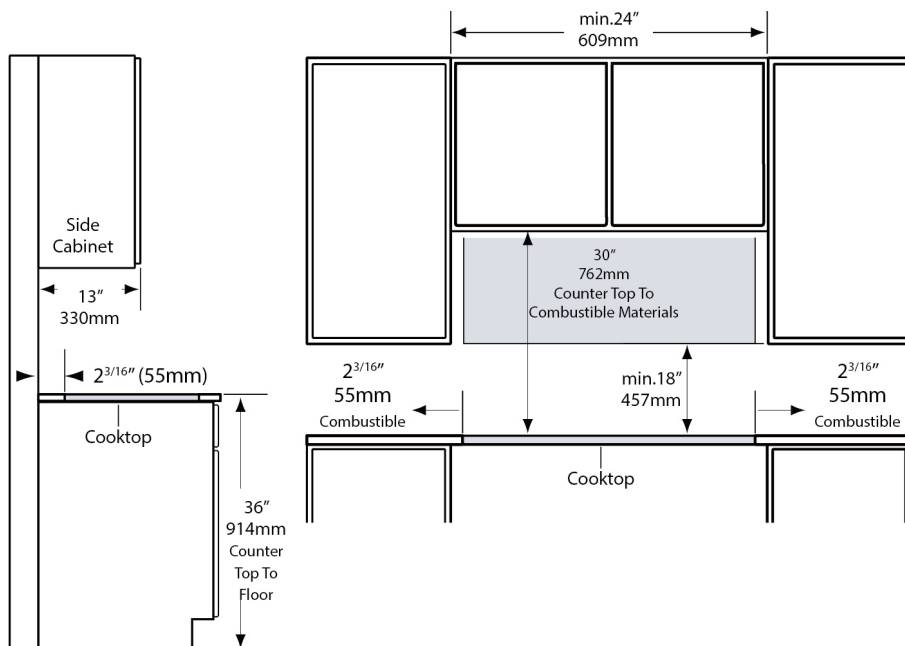
### CUT-OUT DIMENSIONS (INCH/MM)

Width: 21<sup>3/4"</sup> / Depth: 10<sup>11/16"</sup>

Width: 552mm / Depth: 272mm



### RECOMMENDED CABINET MINIMUM CLEARANCE





#### WARRANTY INFORMATION

Porter & Charles Appliances are designed and manufactured to the highest standards. Each appliance is covered by a comprehensive 2-year parts and labour warranty. Refer to product warranty policy for complete terms and conditions.

#### FOR PARTS & SERVICE

Euro-Parts & Service  
39822 Belgrave Road, Belgrave, ON. N0G 1E0 1 866 722 2262  
[www.euro-parts.ca](http://www.euro-parts.ca) • [parts@euro-parts.ca](mailto:parts@euro-parts.ca) • [service@euro-parts.ca](mailto:service@euro-parts.ca)

Porter & Charles appliances are imported and distributed in North America by Euro-Line Appliances Inc. For more information, please visit one of our showrooms or [www.ela.ca](http://www.ela.ca) / [www.elawest.ca](http://www.elawest.ca)

#### **EURO-LINE APPLIANCES INC.**

871 Cranberry Court, Oakville, ON  
L6L 6J7 Canada  
905.829.3980  
1-800.421.6332  
[info@ela.ca](mailto:info@ela.ca)

#### **EURO-LINE APPLIANCES INC.**

101-1014 Homer Street, Vancouver, BC  
V6B 2W9, Canada  
604.235.3980  
1-855.ELA.WEST (352.9378)  
[info@elawest.ca](mailto:info@elawest.ca)