

12" Built-In Electric 2-Zones, Bevelled Edges, Stainless Steel Trim



Available Finishes/Colors

CC30V
Black Ceramic Glass with Stainless-Steel Frame

KEY FEATURES

Black Ceramic Glass Surface

P&C ceramic cooktops have scratch-free, easy-to-clean smooth surfaces, providing clean and modern looks with a minimalist design that helps accentuate the look of any kitchen.

2 High-Light Elements

Provide quick, reliable, and evenly distributed heat for more consistent cooking.

Precise Control

P&C electric cooktops have touch sensitive front controls with LED indicators that are practical and allow for precise temperature settings and provide an easy-to-clean surface.

9 Power Levels

With the use of 9 power levels, your P&C electric cooktop allows you to adjust the heat output of each element.

Residual Heat Indicators

When the cooking zone is not cool enough to touch safely, the residual heat indicators warn you with a visible red indicator on the cooktop surface.

Automatic Shutoff

If a cooking zone is in use for a certain period of time with no changes to the control setting, the burner will automatically turn off to prevent unsupervised heating.



Two Zones



Touch Control



Pause



Slim Installation

GENERAL PROPERTIES

2 Zone electric cooktop

Black ceramic glass surface

Stainless-steel frame with bevelled edges

Shallow depth allows for easy install over drawer or ovens

FEATURES

2 Hi-Lite cooking zones

9 Power levels

Quick heating elements

Touch control panel

Automatic switch-off

Smart-Pause

Residual heat indicators

Child safety lock

COOKTOP PERFORMANCE

1 x 15cm Single Zone: 2100 Watts / Power Boost: 3700 Watts

1 x 17cm Single Zone: 2100 Watts / Power Boost: 3700 Watts

TECHNICAL DETAILS

Product Dimensions (W/H/D)

11^{7/16"} / 1^{7/8"} / 20^{1/2"}

290mm / 47.5mm / 520mm

Cut-Out Dimensions (W/H/D)

10^{5/8"} / min. 2" / 19^{5/16"}

567mm / min. 80mm / 485mm

ELECTRICAL REQUIREMENTS

208/240 V / 60 Hz / 20 Amp

*Supplied with a 5ft long electrical cable and must be hardwired.

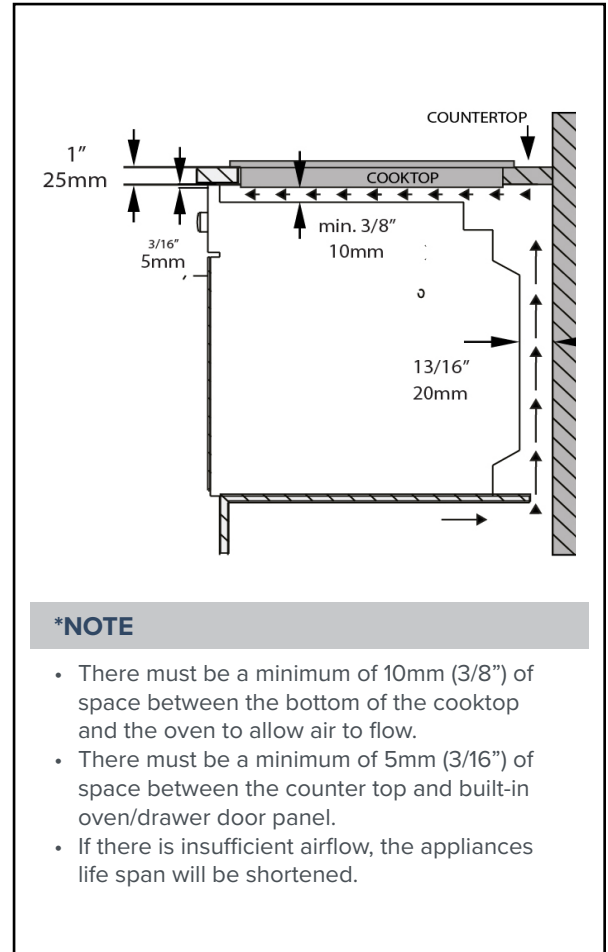
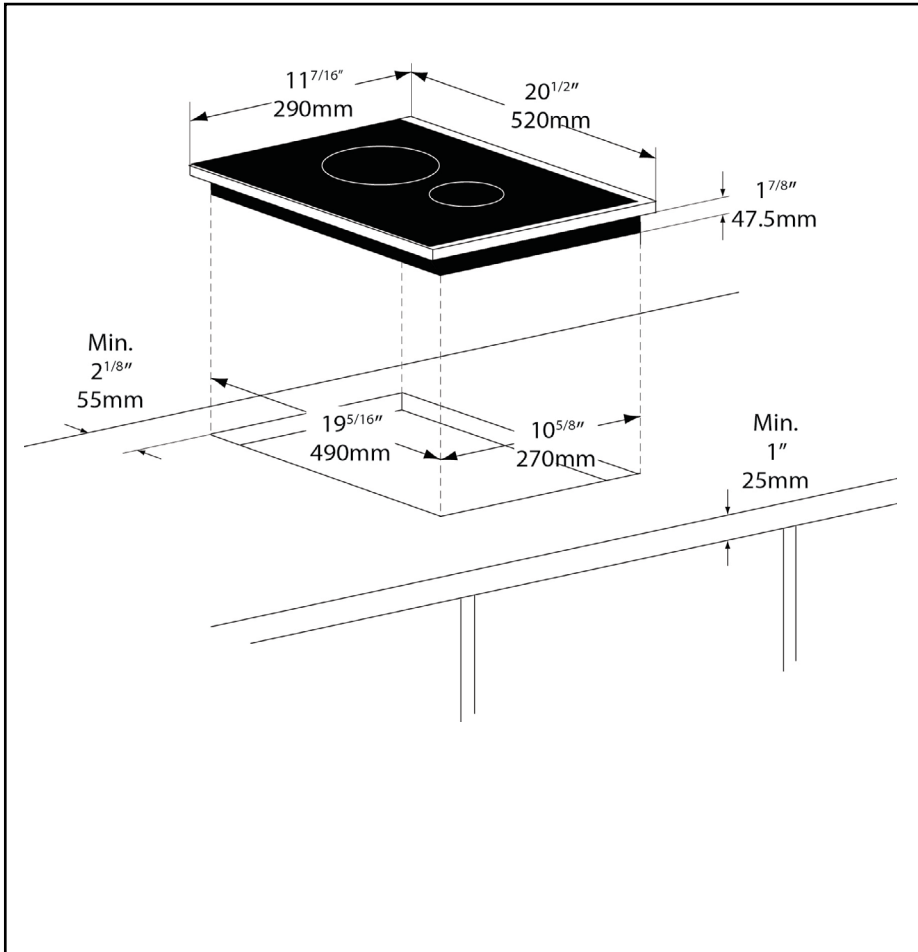
Installation Details

PRODUCT DIMENSIONS (INCH/MM)

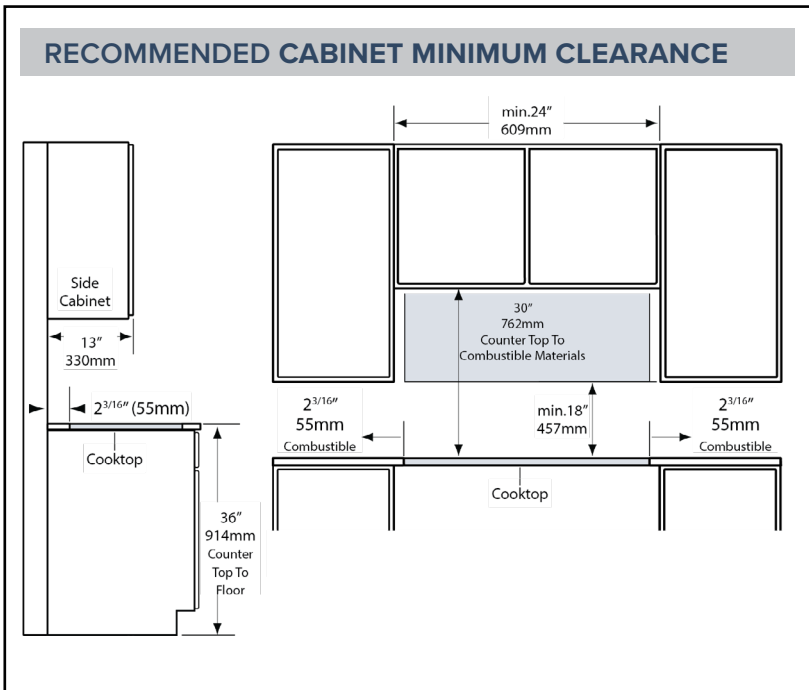
Width: 11⁷/₁₆" / **Height:** 1⁷/₈" / **Depth:** 20¹/₂"
Width: 290mm / **Height:** 47.5mm / **Depth:** 520mm

CUT-OUT DIMENSIONS (INCH/MM)

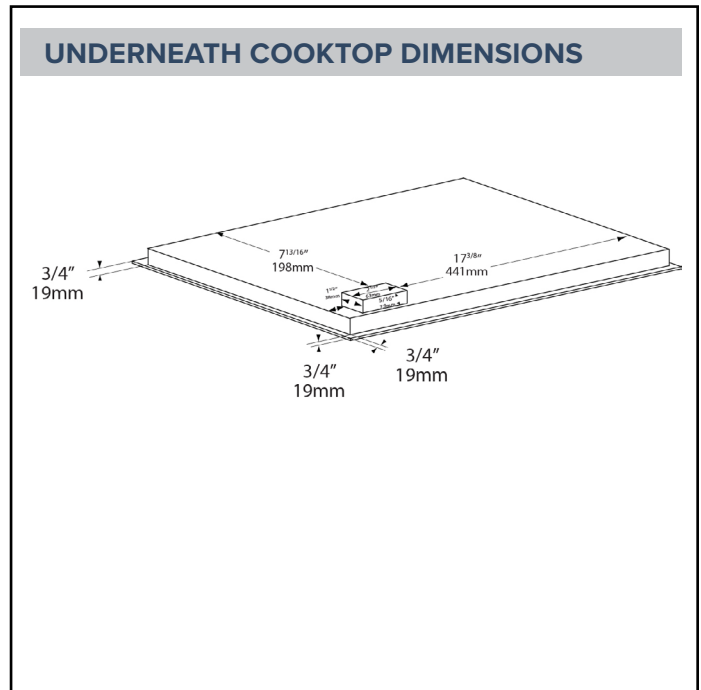
Width: 10⁵/₈" / **Height:** min. 2" / **Depth:** 19⁵/₁₆"
Width: 270mm / **Height:** min. 50mm / **Depth:** 490mm



RECOMMENDED CABINET MINIMUM CLEARANCE



UNDERNEATH COOKTOP DIMENSIONS





WARRANTY INFORMATION

Porter & Charles Appliances are designed and manufactured to the highest standards. Each appliance is covered by a comprehensive 2-year parts and labour warranty. Refer to product warranty policy for complete terms and conditions.

FOR PARTS & SERVICE

Euro-Parts & Service
39822 Belgrave Road, Belgrave, ON. N0G 1E0 1 866 722 2262
www.euro-parts.ca • parts@euro-parts.ca • service@euro-parts.ca

Porter & Charles appliances are imported and distributed in North America by Euro-Line Appliances Inc. For more information, please visit one of our showrooms or www.ela.ca / www.elawest.ca

EURO-LINE APPLIANCES INC.

871 Cranberry Court, Oakville, ON
L6L 6J7 Canada
905.829.3980
1-800.421.6332
info@ela.ca

EURO-LINE APPLIANCES INC.

101-1014 Homer Street, Vancouver, BC
V6B 2W9, Canada
604.235.3980
1-855.ELA.WEST (352.9378)
info@elawest.ca