

FEG60B2

24" Stainless Steel 4-Burner Dual Fuel Range, Multifunction Convection Oven



GENERAL PROPERTIES

Fuel Type / Subtype	Dual Fuel / Natural Gas
Style	Slide-In / Freestanding
Colour	Stainless Steel
Handle	Stainless Steel Handle
Cooktop / Oven Control Type	Rotary Knobs
Viewing Window	Yes
Digital Timer / Clock	Yes
Oven Interior	Diamond glazed interior
Oven Door	Isofront® Plus double glazed door
Warming Drawer	N/A
Adjustable Leg Height	Yes

CAPACITY

Number of Burners	4 Sealed Burners
Oven Interior Capacity	2.2 Cu. Ft. (63L) Capacity

GAS COOKTOP FEATURES

Continuous Iron Grates	Yes
Residual Heat Indicator	Yes
LPG Conversion Kit	Included

BURNER PERFORMANCE

1 x Wok Burner	15,600 BTU
1 x Rapid Burner	11,500
1 x Semi-Rapid Burner	8,000 BTU
1 x Auxiliary Burner	5,000 BTU

OVEN FEATURES

Number of Cooking Functions	9
Cooking Technology	ThermiC® hot air cooking technology
Fully programmable Clock/Timer	Yes
Delay Start & Finish	Yes
Oven Interior Lighting	Halogen Lighting
Metric and imperial baking chart on inside of door	Yes
Oven Cleaning Type	Catalytic Clean

OVEN FUNCTIONS

Fan Forced Convection	High Bake
Fan Assist	Defrost / Food Warmer
Half Grill / Full Grill	Conventional Cooking
Fan Grill	Pizza (Preheat)

TECHNICAL DETAILS

Electrical Requirements	208/240V, 60Hz, 30Amp/40Amp
Power Cord	*Supplied with range cord & plug

DIMENSIONS

Product Dimensions W / H / D (In/mm)	23 ^{5/8"} / 33 ^{7/8"} - 36 ^{1/4"} / 25 ^{3/16"} (600mm / 860mm - 920mm / 640mm)
Cut Out Dimensions W / H (In/mm)	23 ^{7/8"} / 35 ^{7/8"} (602mm / 900mm)

AVAILABLE FINISHES / COLOUR OPTIONS



FEG60B2
Stainless Steel

KEY FEATURES

4 Sealed Burners

4 burners with outputs ranging from 8,000 BTU to 15,600 BTU to handle all of your cooking needs.

Sized to Suit

With a spacious 2.2 cu. ft. oven capacity, this built-in oven is designed to accommodate multiple dishes and your favourite meals with ease.

Convection Oven

Evenly bake foods like roasts and cookies with this helpful feature that uses a fan to circulate heated air.

Digital Clock and Timer

Allowing you to monitor how long the food has been cooked. No longer you need to worry about your food getting overcooked.

Heavy-Duty Cast-Iron Grates

These cast-iron grates provide a continuous uninterrupted and maximized cooking surface for great coverage.

Accessories

Grill / Roasting Pan (1), Reversible Grill Insert (1), Chrome Oven Racks (2), Retractable Slide Runners (1-pair).

FEG60B2



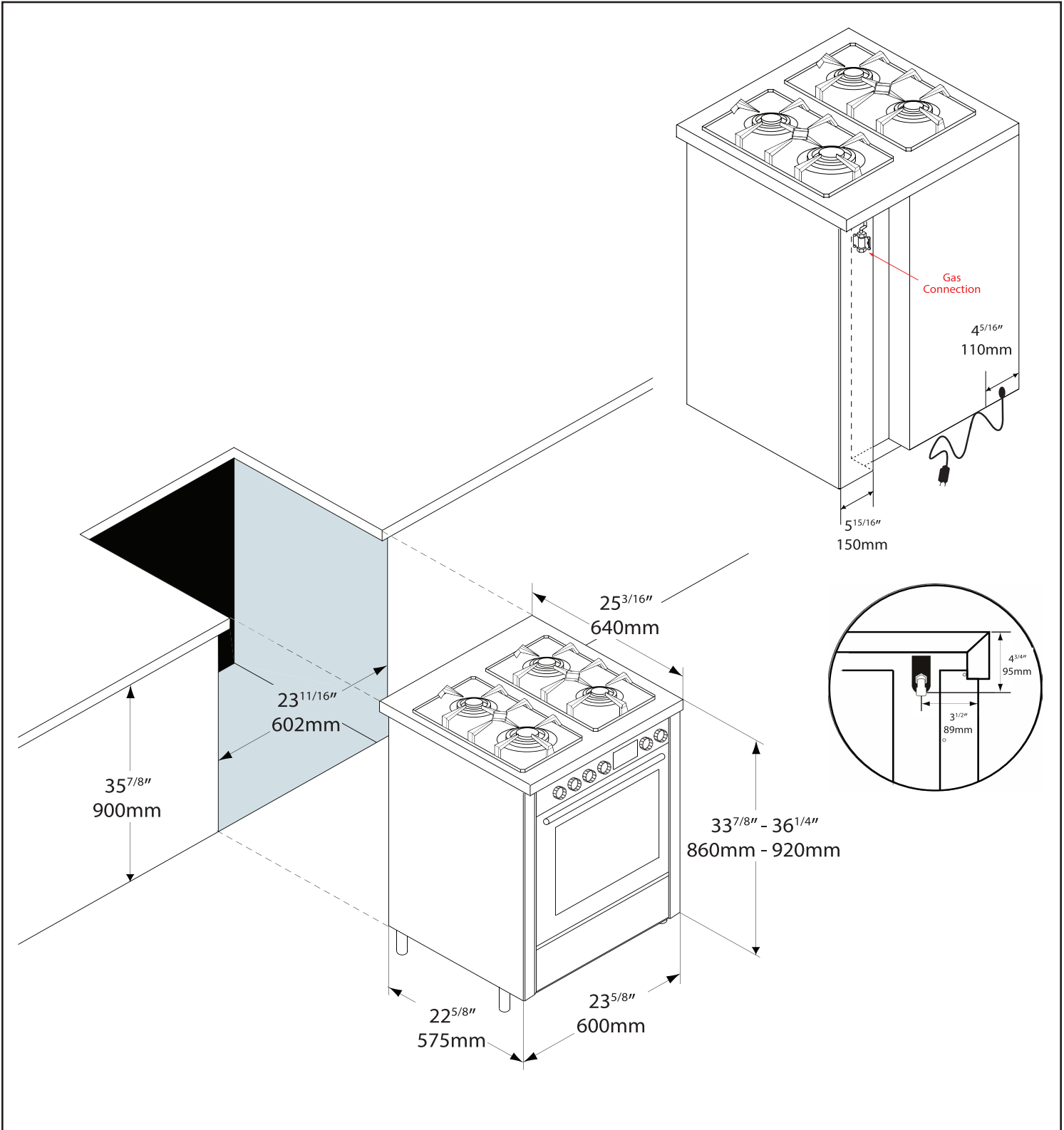
Installation Details

PRODUCT DIMENSIONS - W / H / D (INCH/MM)

23⁵/₈" / 33⁷/₈" - 36¹/₄" / 25³/₁₆"
600mm / 860mm - 920mm / 640mm

CUT-OUT DIMENSIONS W / H (INCH/MM)

23⁷/₈" / 35⁷/₈"
602mm / 900mm





WARRANTY INFORMATION

Porter & Charles Appliances are designed and manufactured to the highest standards. Each appliance is covered by a comprehensive 2-year parts and labour warranty. Refer to product warranty policy for complete terms and conditions.

FOR PARTS & SERVICE

Euro-Parts & Service
39822 Belgrave Road, Belgrave, ON. N0G 1E0 1 866 722 2262
www.euro-parts.ca • parts@euro-parts.ca • service@euro-parts.ca

Porter & Charles appliances are imported and distributed in North America by Euro-Line Appliances Inc. For more information, please visit one of our showrooms or www.ela.ca

EURO-LINE APPLIANCES INC.

871 Cranberry Court, Oakville, ON
L6L 6J7 Canada
905.829.3980
1-800.421.6332
info@ela.ca

EURO-LINE APPLIANCES INC.

101-1014 Homer Street, Vancouver, BC
V6B 2W9, Canada
604.235.3980
1-855.ELA.WEST (352.9378)
infowest@ela.ca